

ARCTIC[®]
Snow & Ice Products

SECTIONAL **NO-WING**[™]

LIGHT DUTY SECTIONAL SNO-WING

PARTS MANUAL

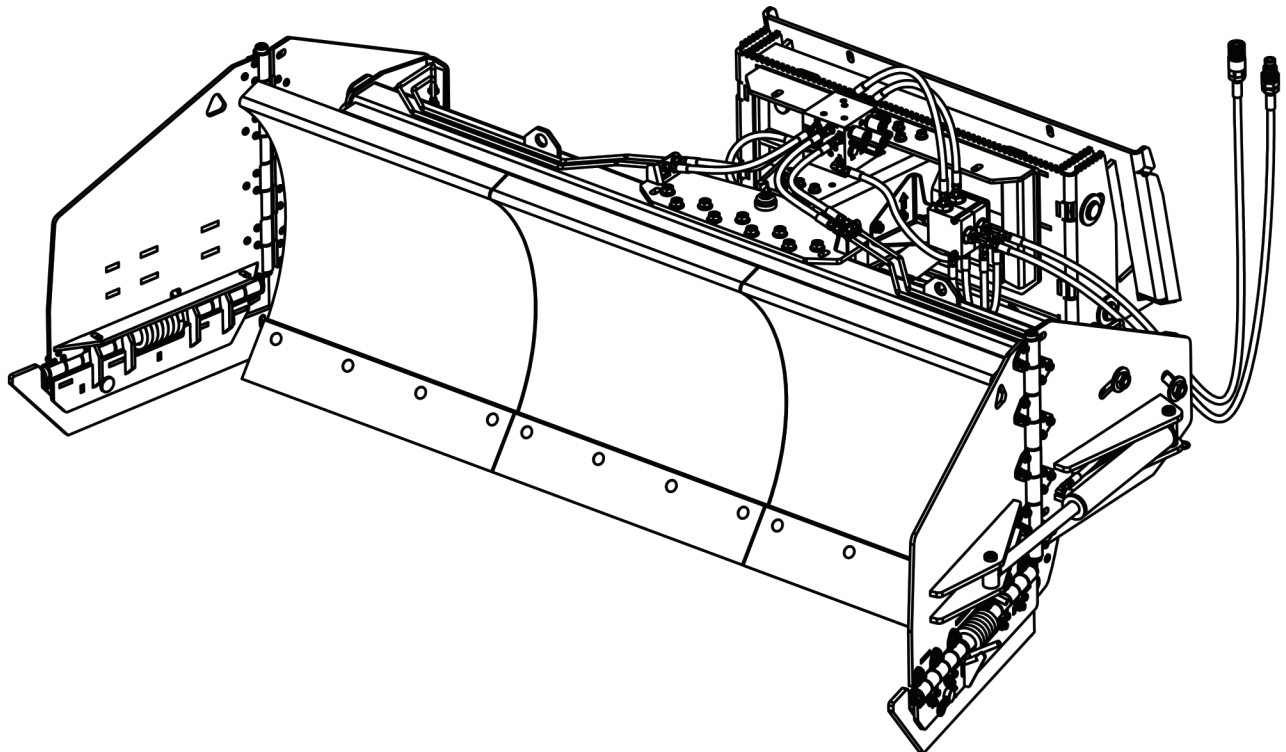
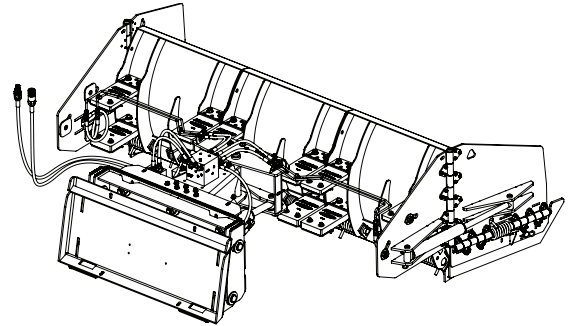
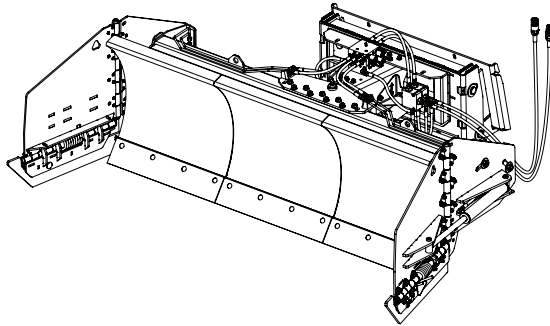


TABLE OF CONTENTS

Bill of Materials	3-5
Main Frame.....	6
Front Angle Weldment	7
Rear Angle Weldment.....	8
A-Frame	9
Front Swivel Plate	10
Rear Swivel Plate.....	11
Coupler	12
Moldboards and Polyblocks.....	13
Wing to Frame	14
Cutting Edge Gap Shield	15
Wing Hinge.....	16
Wing Trip Hinge	17
Wing Components.....	18
Wing Cylinder.....	19
Angle Cylinders	20
Hydraulics.....	21
Auxiliary Hydraulics	22
Hydraulic Manifold	23
Hydraulic Lines	24
Wing Hydraulics.....	25
Electrical	26
14 Pin Wiring Diagram	27



BILL OF MATERIALS



PART NO.	DESCRIPTION
SPAWLD9356	Entire Right Wing Assembly
SPAWLD9357	Entire Left Wing Assembly
SPAWLD9361	Wing Hinge Assembly
SPAWLD9362	Wing Trip Hinge Assembly
SPAWLD9012	LD Sno-Wing Wing Cutting Edge - Cut - 0.5In. Thk - Ar400
SPAWLD9082	LD Sno-Wing Wing Washer - Cut - 0.1875In. Thk - Clear Zinc
SPAWLD9089	Slip Hitch Pin Washer - Cut - 0.25In. Thk - Clear Zinc
SPAWLD9078	Main Pivot Pin Washer - Cut - 0.375In. Thk - Clear Zinc
SPAWLD9077	Outer Pivot Pin Washer - Cut - 0.375In. Thk - Clear Zinc
SPAWLD9227	Angle Cylinder Washer - Cut - 0.25In. Thk - Clear Zinc
Q14245-E04-S01	LD Sno-Wing Main Harness - 82" Long - 14 Pin To Breakaway Connector
Q14245-E05-S01	Manifold Harness - Breakaway To (3) Deutsch 2-Pin Connectors
SPAWLD9093	Flange Bolt 5/8-11 X 1.25In. - Clear Zinc
SPAWLD9130	1/2-13 X 1.5In. Flange Bolt - Clear Zinc
SPAWLD9132	1/2-13 - Flange Nut - Clear Zinc
SPAWLD9096	Flange Bolt 3/8-16 X 0.625In. - Clear Zinc
SPAWLD9097	Flange Bolt 5/16-18 X 0.625 - Clear Zinc
SPAWLD9085	Linch Pin - For 1In. Pin - 0.1875In. Hole - Clear Zinc
SPAWLD9158	Cotter Pin - 4In. Long, 0.25In. Wire - Clear Zinc
SPAWLD9214	Cotter Pin - 3.25In. Long, 0.177In. Wire - Clear Zinc
SPAWLD9080	1-8 Nylock Nut - Shallow - Clear Zinc
SPAWLD9088	External C-Clip - 1.625In. Diameter - Yellow Zinc
SPAWLD9074	1 1/2-6 Nylock Nut - Clear Zinc
SPAWLD9073	1 1/4-7 Nylock Nut - Clear Zinc
SPAWLD9136	3/8-16 X 1In. Flange Bolt - Clear Zinc
SPLD1.59070	LD Poly Stud Washer
SPLD1.59050	Polyblock Stud For 1.5In. Blocks - 3.25In. Long - Zinc Coated
SPLD1.59051	Polyblock Stud For 1In. Blocks - 2.75In. Long - Zinc Coated

SECTIONAL
SNO-WING™

Arctic Sectional Sno-Wing™ LD Parts Manual

www.arcticsnowproducts.com | **3**

BILL OF MATERIALS

PART NO.	DESCRIPTION
SPAWLD9215	Cotter Pin - 5.125In. Long, 0.25In. Wire - Clear Zinc
95069	5/8-11 X 3In. Hex Head Bolt
SPAWLD9237	5/16-18 X 4.5In. Hex Head Bolt - Clear Zinc
SPAWLD9233	3/8-16 X 1In. Button Head Bolt - Clear Zinc
SPAWLD9235	3/8-16 Hex Nut - Clear Zinc
SPAWLD9234	5/16-18 X 1In. Button Head Bolt - Clear Zinc
SPAWLD9236	5/16-18 Hex Nut - Clear Zinc
SPAWLD9149	Wing Cylinder
SPAWLD9149	Angle Cylinder
SPAWLD9159	-6 Jic To -6 Jic - Bulkhead Fitting
SPAWLD9166	Sae 8 To -6 Jic 90 Degree Fitting
DDB5242	1/2" Body Qc To -12 O-Ring Female Hydraulic Qc Coupler - Male
DDB5243	1/2" Body Qc To -12 O-Ring Female Hydraulic Qc Coupler - Female
SPAWLD9171	-6 Sae To -6 Jic 90 Degree Fitting
CR08-28H	Cross Relief - LD Sno-Wing Rev 1
SX08-4X	Sx08 - LD Sno-Wing Rev 1
COIL_08_DR	Coil - LD Sno-Wing Rev 1
DC08-40	Check Valve - LD Sno-Wing Rev 1
ZY01366	Manifold - Bare - LD Sno-Wing Rev 1
SPAWLD9115	-6 O-Ring To -6 Jic Fitting
SPAWLD1004	LD8 Sno-Wing Right Extend Hydraulic Line
SPAWLD1005	LD8 Sno-Wing Right Retract Hydraulic Line
SPAWLD1006	LD8 Sno-Wing Left Retract Hydraulic Line
SPAWLD1007	LD8 Sno-Wing Left Extend Hydraulic Line
SPAWLD2004	LD10.5 Sno-Wing Right Extend Hydraulic Line
SPAWLD2005	LD10.5 Sno-Wing Right Retract Hydraulic Line
SPAWLD2006	LD10.5 Sno-Wing Left Retract Hydraulic Line
SPAWLD2007	LD10.5 Sno-Wing Left Extend Hydraulic Line
FR12-33A-12T-N	Auxiliary Hydraulic Block
DDB5117	-6 Jic Male To -12 Oring Male Hydraulic Fitting
SPAWLD9230	-6 Jic Tee Fitting, One End Female
FR12-33A	Priority Flow Control Valve - LD Sno-Wing Rev 1
SPAWLD9225	LD Sno-Wing Universal Hose - 27.5" End To End
SPAWLD9228	LD Sno-Wing Crossover Hose - 32" End To End
SPAWLD9223	LD Sno-Wing Main Hose Whip - 90" End To End
SPAWLD9204 - COMPLETE	LD Sno-Wing Complete Manifold With Fittings - Rev 1
SPAWLD9195	Wing Trip Edge Spring Bushing - Machined - Al

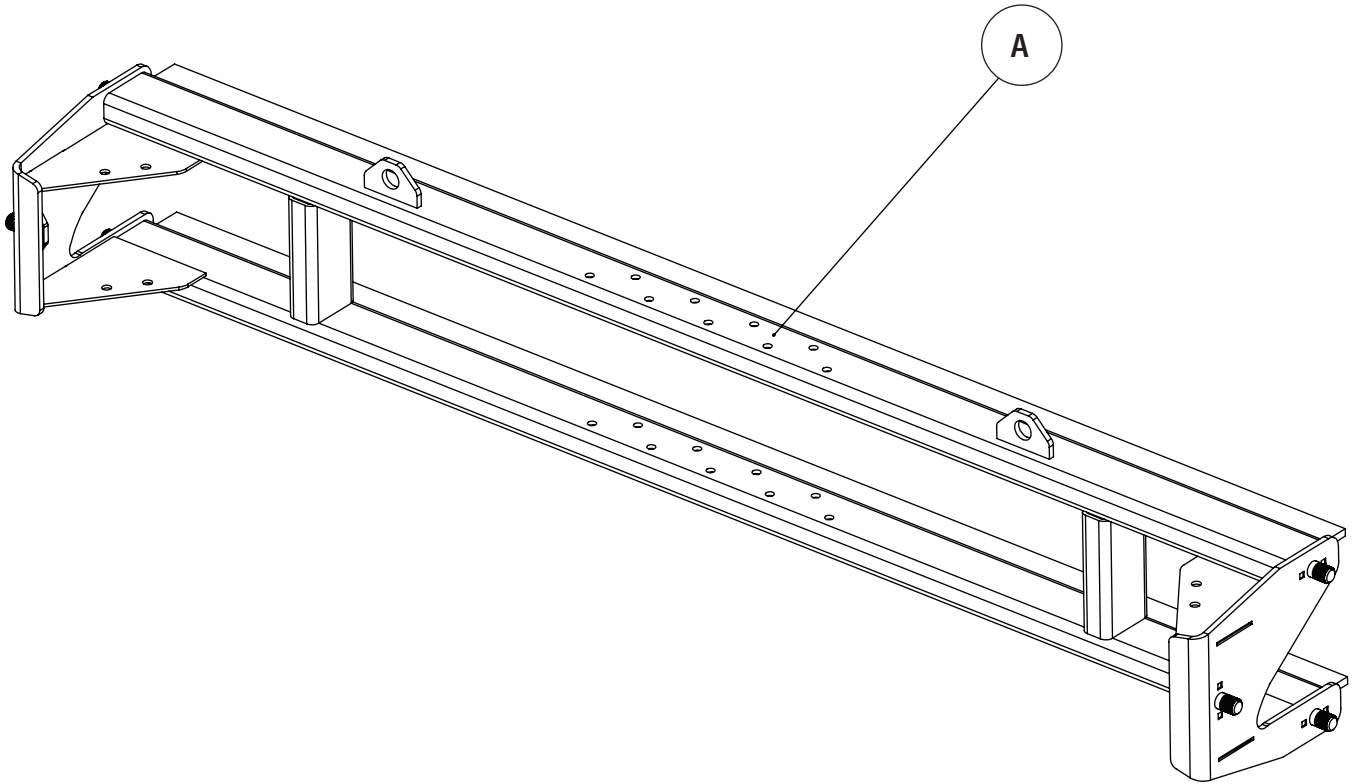


BILL OF MATERIALS

PART NO.	DESCRIPTION
SPAWLD9127	Rear Wing Pin - Machined - Clear Zinc Coated
SPAWLD9165	Front Wing Pin - Machined - Clear Zinc Coated
SPAWLD9090	Wing Cutting Edge Pin - Machined
SPAWLD9086	Wing Pin - Machined - Clear Zinc
SPAWLD9053	Wing Trip Pin - Machined - Clear Zinc
SPAWLD9087	Slip Hitch Pin - Machined - C-Clip
SPAWLD9099	Main Angle Pin - Machined - Clear Zinc Coated
SPAWLD9126	Front Angle Pin - Machined - Clear Zinc Coated
SPAWLD9203	Rear Angle Pin - Machined - Clear Zinc Coated
SPAWLD9028	A-Frame Bottom - Sheet Metal - 0.375In. Thk
SPAWLD9031	A-Frame Top - Sheet Metal - 0.375In. Thk
SPAWLD9232	Auxiliary Hydraulic Bracket - Sheet Metal - 0.1875In. Thk
SPAWLD1301	LD8 Sno-Wing Main Frame
SPAWLD2301	LD10.5 Sno-Wing Main Frame
SPAWLD9317	Front Angle Weldment
SPAWLD9308	Rear Angle Weldment
SPAWLD9310	Front Swivel Plate Weldment
SPAWLD9311	Rear Swivel Plate
SPAWLD9304	Right Cutting Edge Gap Shield
SPAWLD9341	Left Cutting Edge Gap Shield
SPAWLD9316	Wing Hinge Weldment
SPAWLD9342	Wing Trip Hinge Weldment
SPAWLD9327	Right Rear Wing Weldment
SPAWLD9335	Left Rear Wing Weldment
SPAWLD9328	Right Front Wing Weldment
SPAWLD9336	Left Front Wing Weldment
SPAWLD9303	Right Trip Edge Weldment
SPAWLD9337	Left Trip Edge Weldment

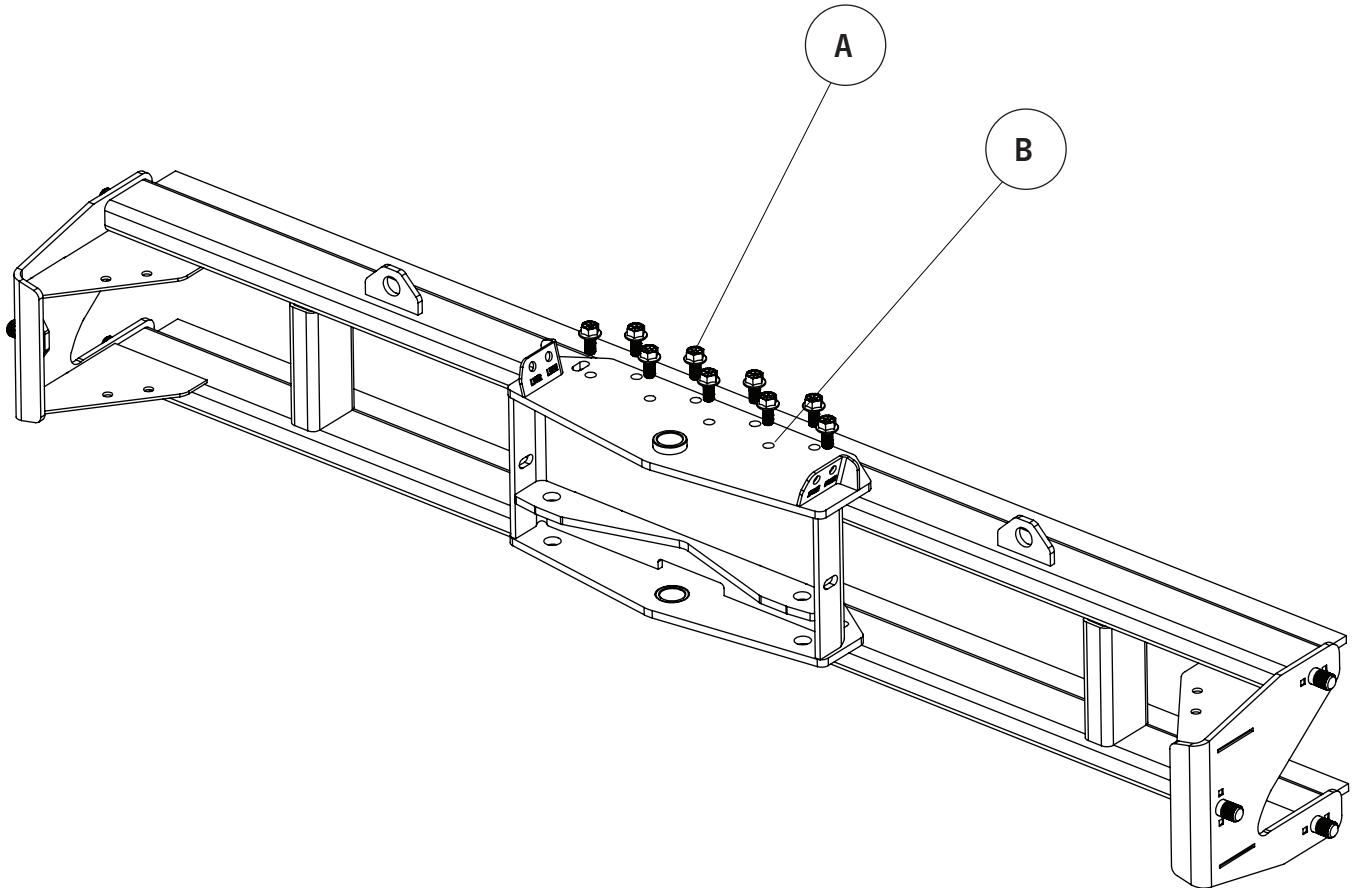


MAIN FRAME



ITEM	PART NO.	DESCRIPTION
A	SPAWLD1301	LD8 Sno-Wing Main Frame
	SPAWLD2301	LD10.5 Sno-Wing Main Frame

FRONT ANGLE WELDMENT

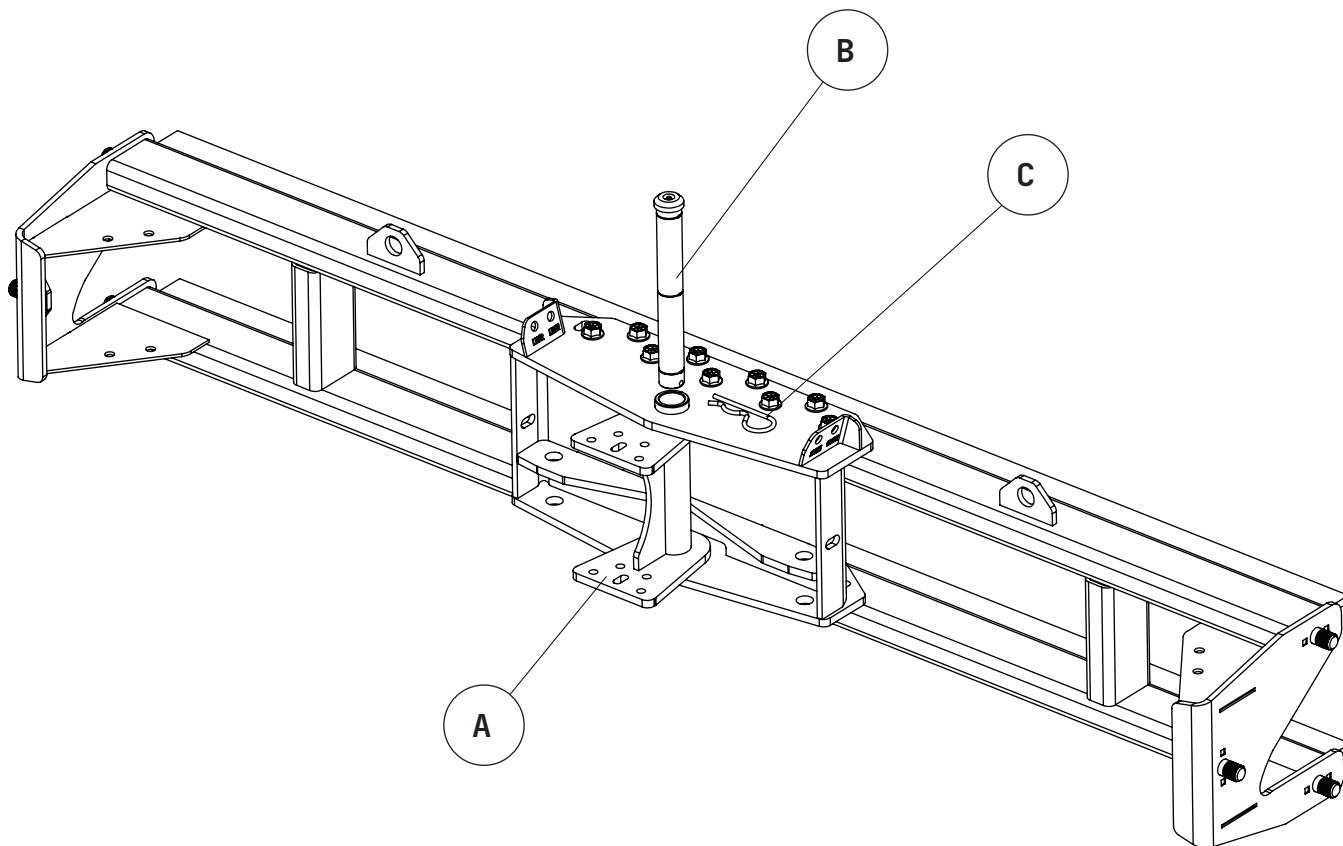


ITEM	PART NO.	DESCRIPTION
A	SPAULD9093	5/8-11 x 1.25in. Flange Bolt
B	SPAULD9317	Front angle weldment

SECTIONAL
SNO-WING™

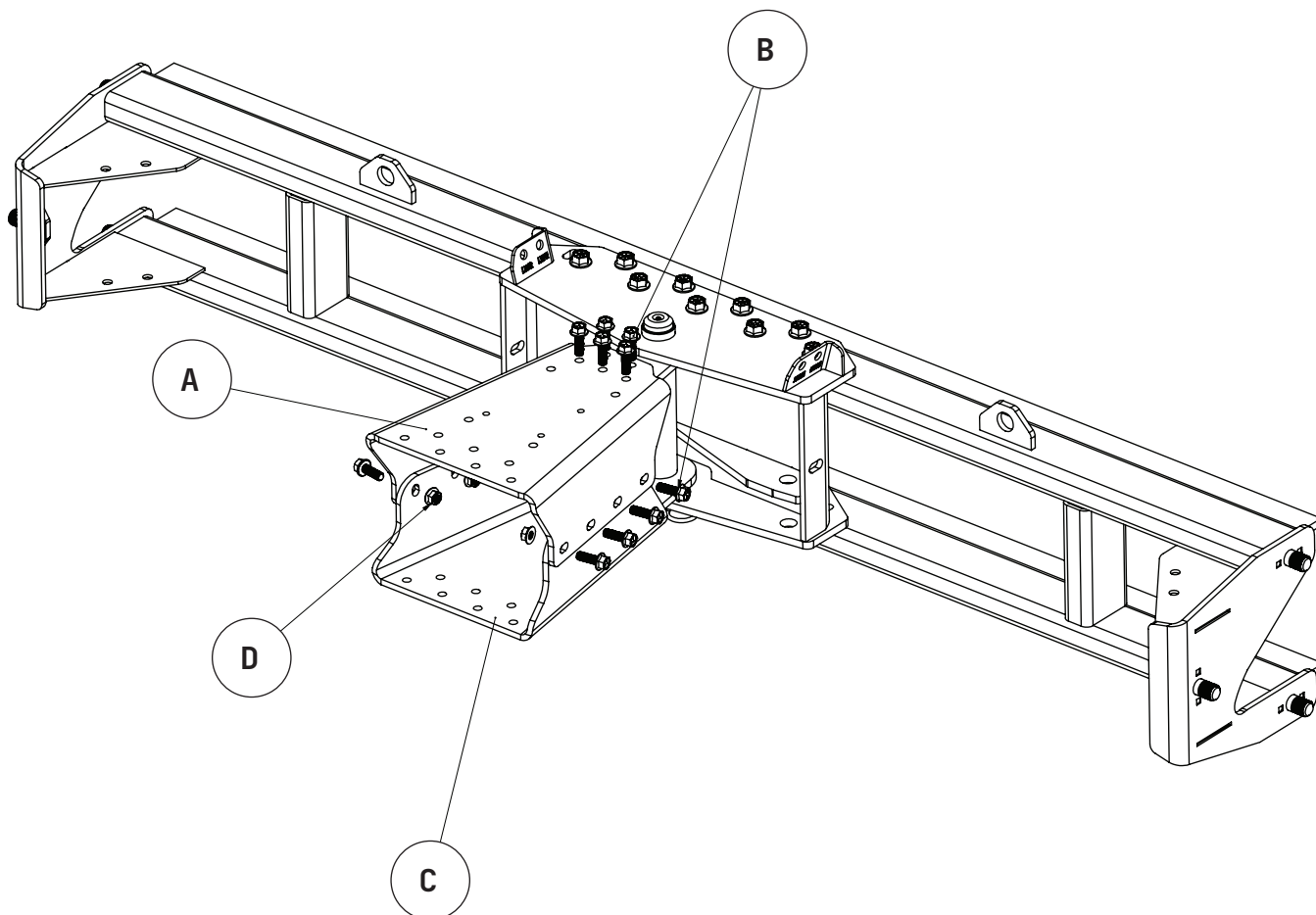
Arctic Sectional Sno-Wing™ LD Parts Manual

REAR ANGLE WELDMENT



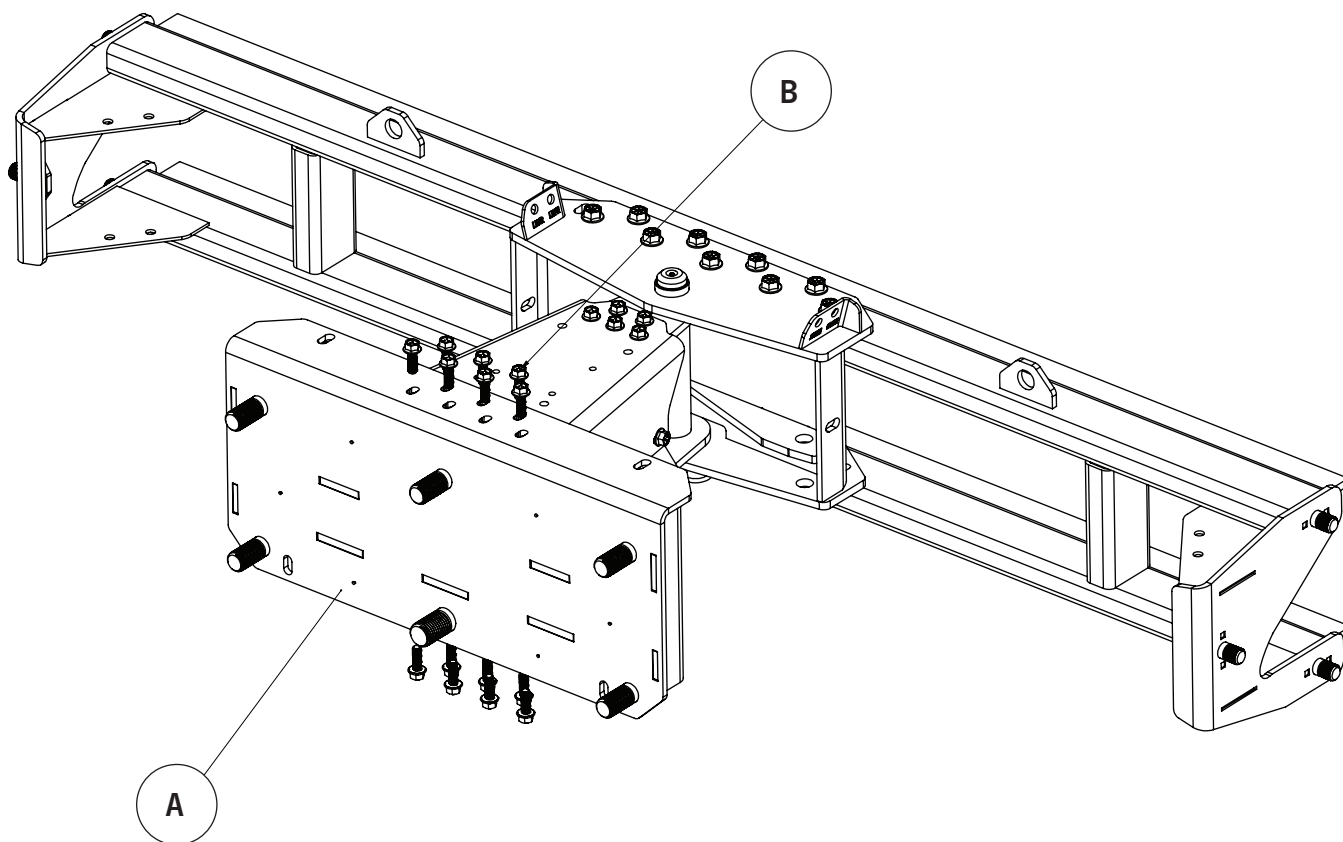
ITEM	PART NO.	DESCRIPTION
A	SPAWLD9308	Rear Angle Weldment
B	SPAWLD9099	Wing Cutting Edge Pin - Machined
C	SPAWLD9158	Cotter Pin - 4in. Long, 0.25in. Wire - Clear Zinc

A-FRAME



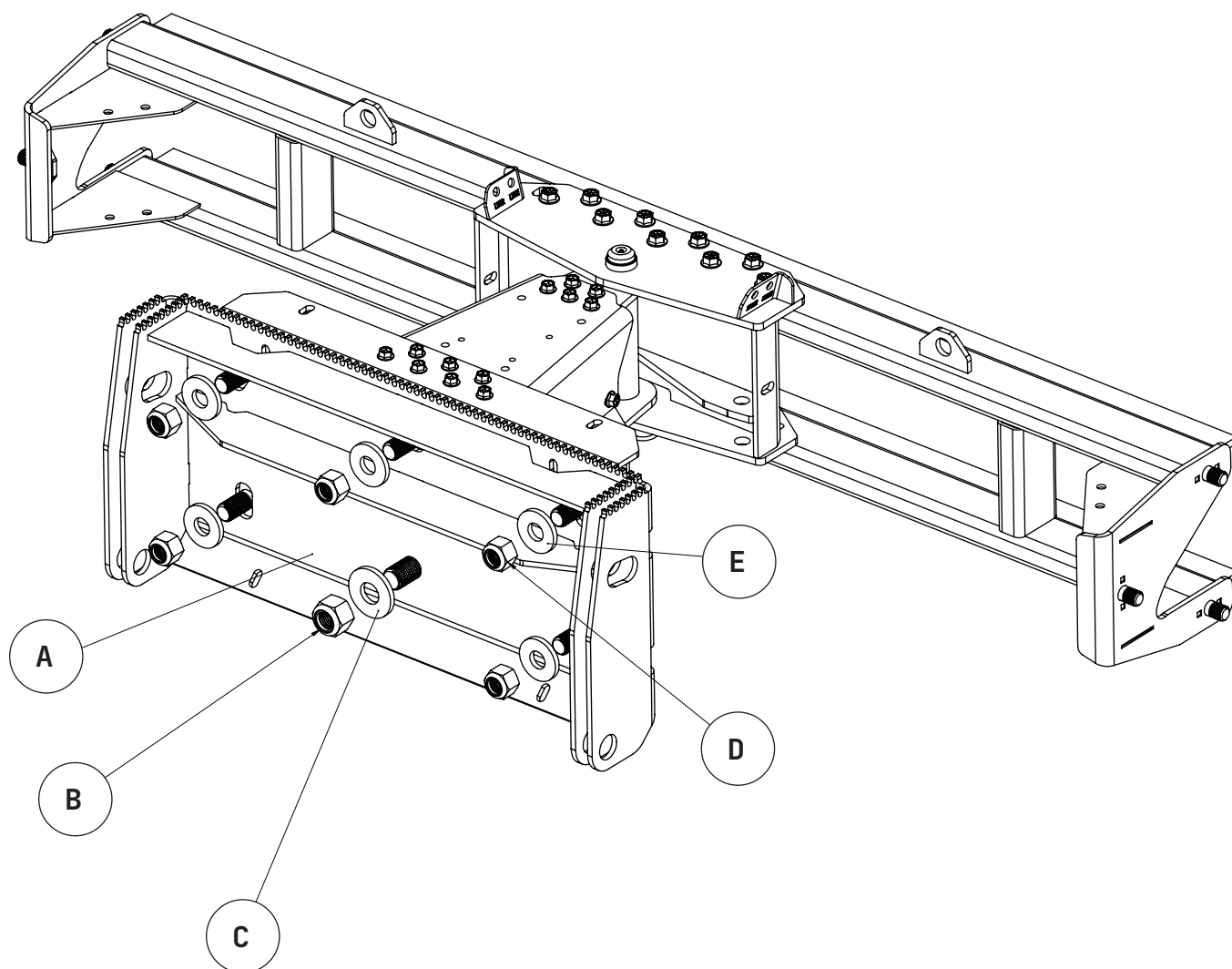
ITEM	PART NO.	DESCRIPTION
A	SPAWLD9031	A-Frame Top - Sheet Metal - 0.375in. Thk
B	SPAWLD9130	1/2-13 X 1.5in. Flange Bolt - Clear Zinc
C	SPAWLD9028	A-Frame Bottom - Sheet Metal - 0.375in. Thk
D	SPAWLD9132	1/2-13 - Flange Nut - Clear Zinc

FRONT SWIVEL PLATE



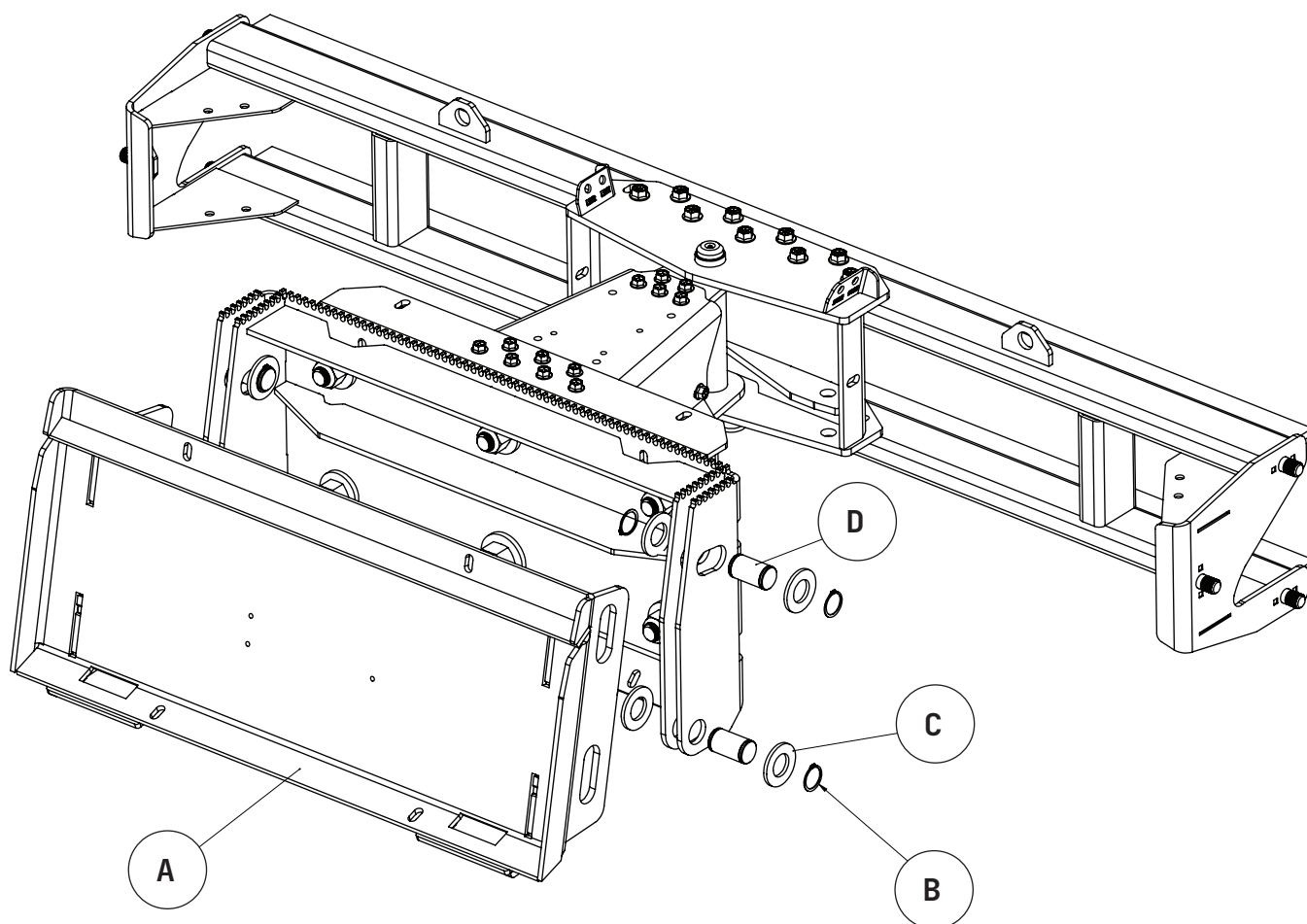
ITEM	PART NO.	DESCRIPTION
A	SPAWLD9310	Front Swivel Plate Weldment
B	SPAWLD9130	1/2-13 X 1.5in. Flange Bolt - Clear Zinc

REAR SWIVEL PLATE



ITEM	PART NO.	DESCRIPTION
A	SPAWLD9311	Rear Swivel Plate
B	SPAWLD9074	1 1/2-6 Nylock Nut - Clear Zinc
C	SPAWLD9078	Main Pivot Pin Washer - Cut - 0.375in. Thk - Clear Zinc
D	SPAWLD9073	1 1/4-7 Nylock Nut - Clear Zinc
E	SPAWLD9077	Outer Pivot Pin Washer - Cut - 0.375in. Thk - Clear Zinc

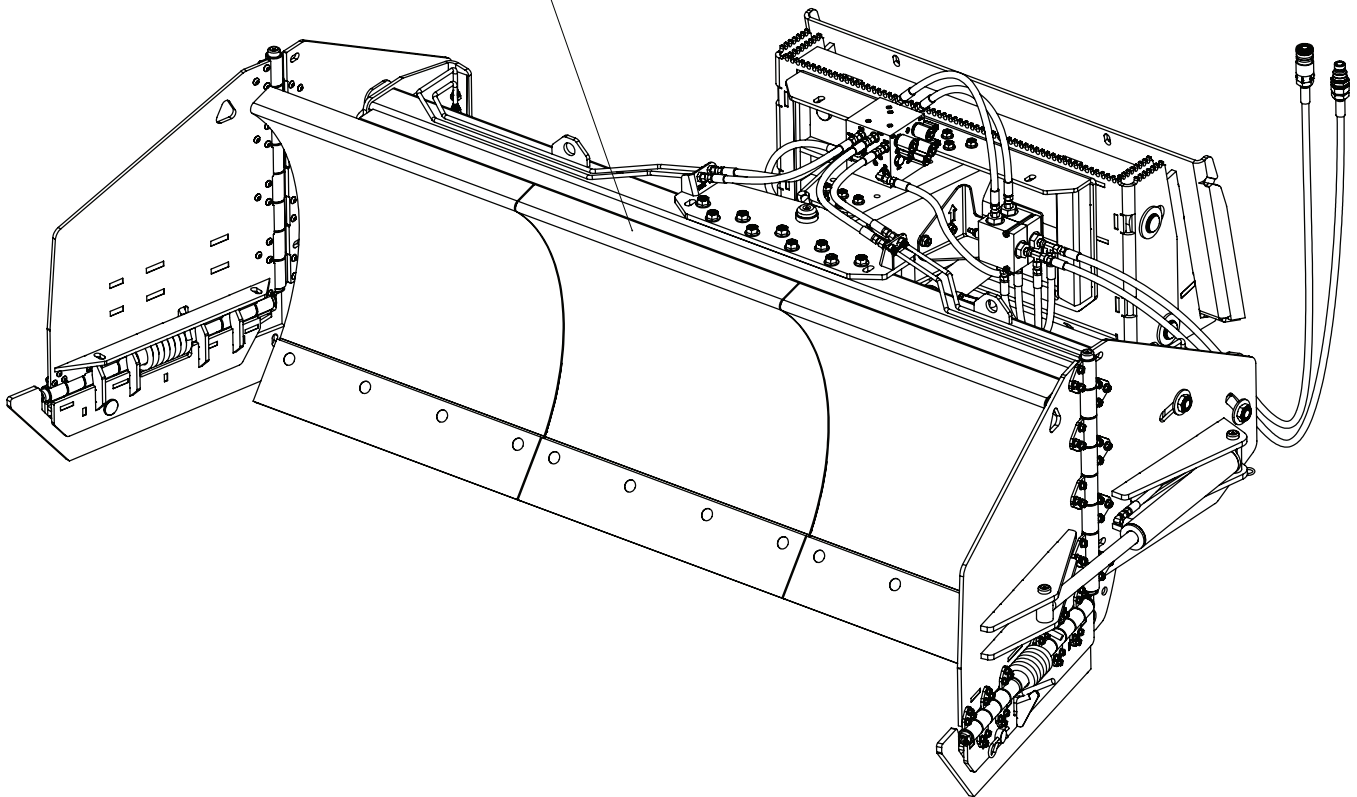
COUPLER



ITEM	PART NO.	DESCRIPTION
A	LD COUPLER	LD Coupler
B	SPAWLD9088	External C-Clip - 1.625in. Diameter - Yellow Zinc
C	SPAWLD9089	Slip Hitch Pin Washer - Cut - 0.25in. Thk - Clear Zinc
D	SPAWLD9087	Slip Hitch Pin - Machined - C-Clip

MOLDBOARDS AND POLYBLOCKS

USES LD MOLDBOARDS AND POLYBLOCKS.
SEE LD PUSHER PARTS MANUAL.

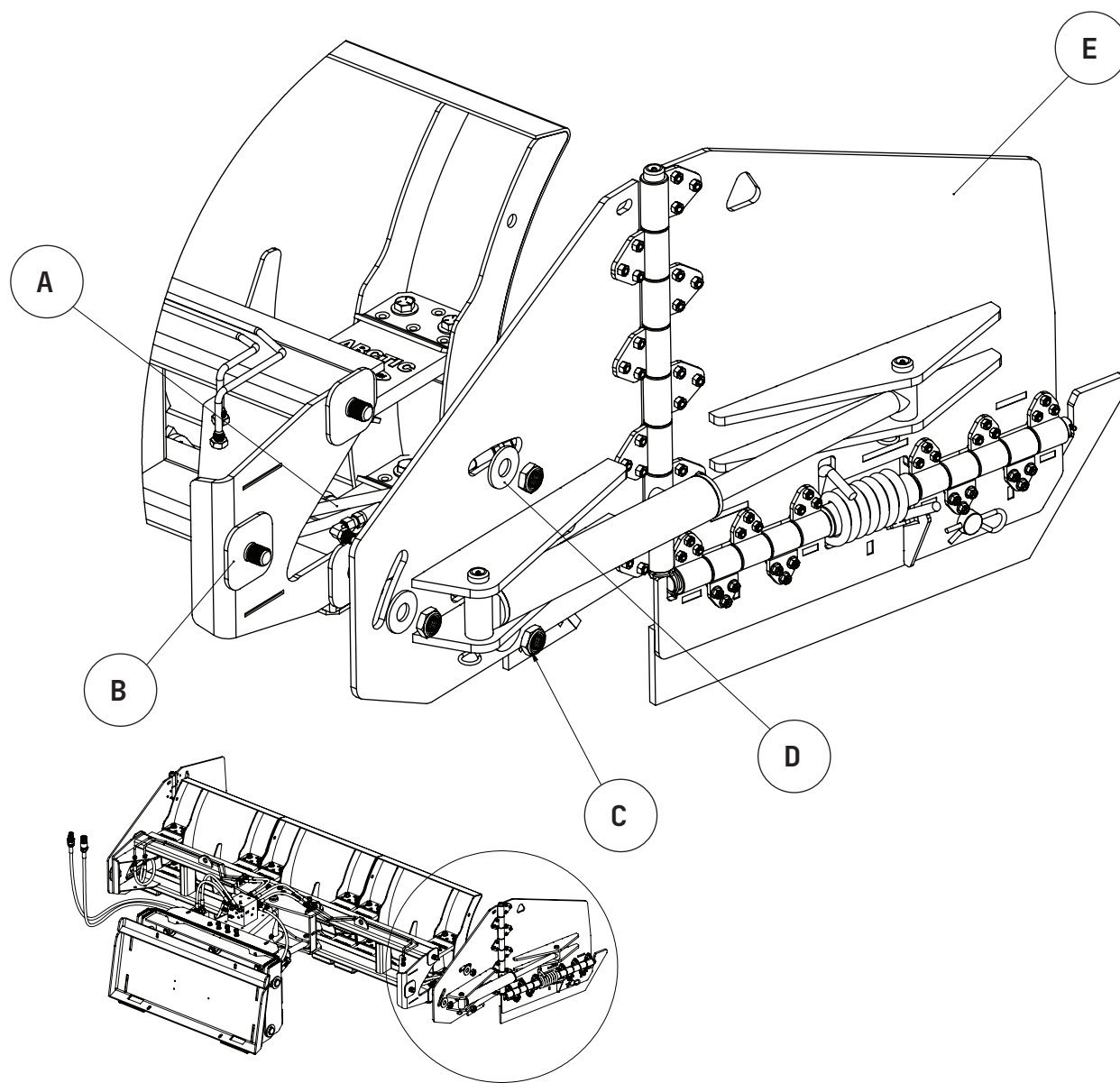


SECTIONAL
NO-WING™

Arctic Sectional Sno-Wing™ LD Parts Manual

www.arcticsnowproducts.com | 13

WING TO FRAME



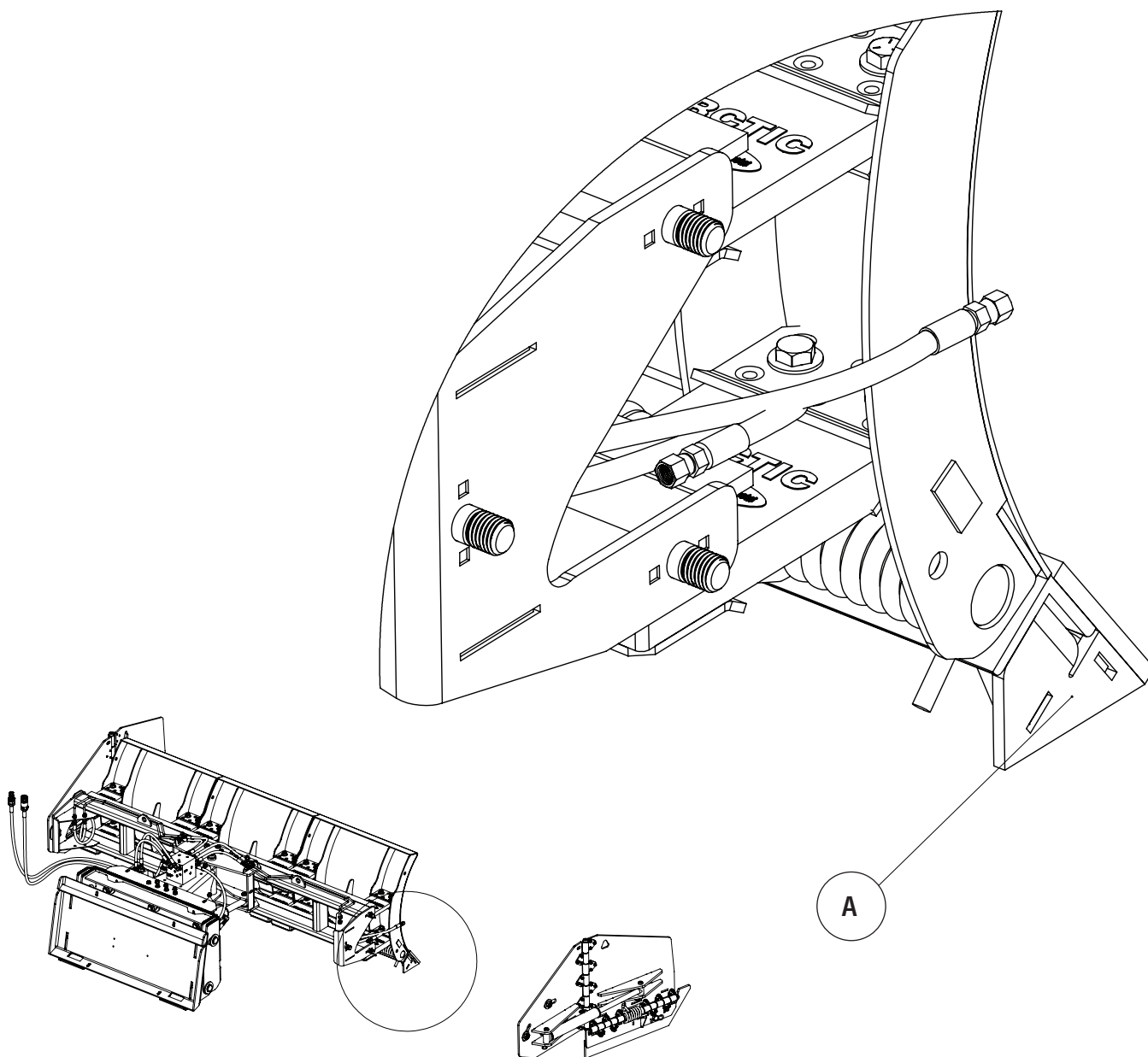
ITEM	PART NO.	DESCRIPTION
A	SPAULD9225	LD Sno-Wing Universal Hose - 27.5" End To End
B	7068	4in Square Washer w/1-1/16in Dia. Hole
C	SPAULD9080	1-8 Nylock Nut - Shallow - Clear Zinc
D	SPAULD9082	LD Sno-Wing Wing Washer - Cut - 0.1875in. Thk - Clear Zinc
E	SPAULD9356	Entire Right Wing Assembly
	SPAULD9357	Entire Left Wing Assembly

SECTIONAL
SNO-WING™

Arctic Sectional Sno-Wing™ LD Parts Manual

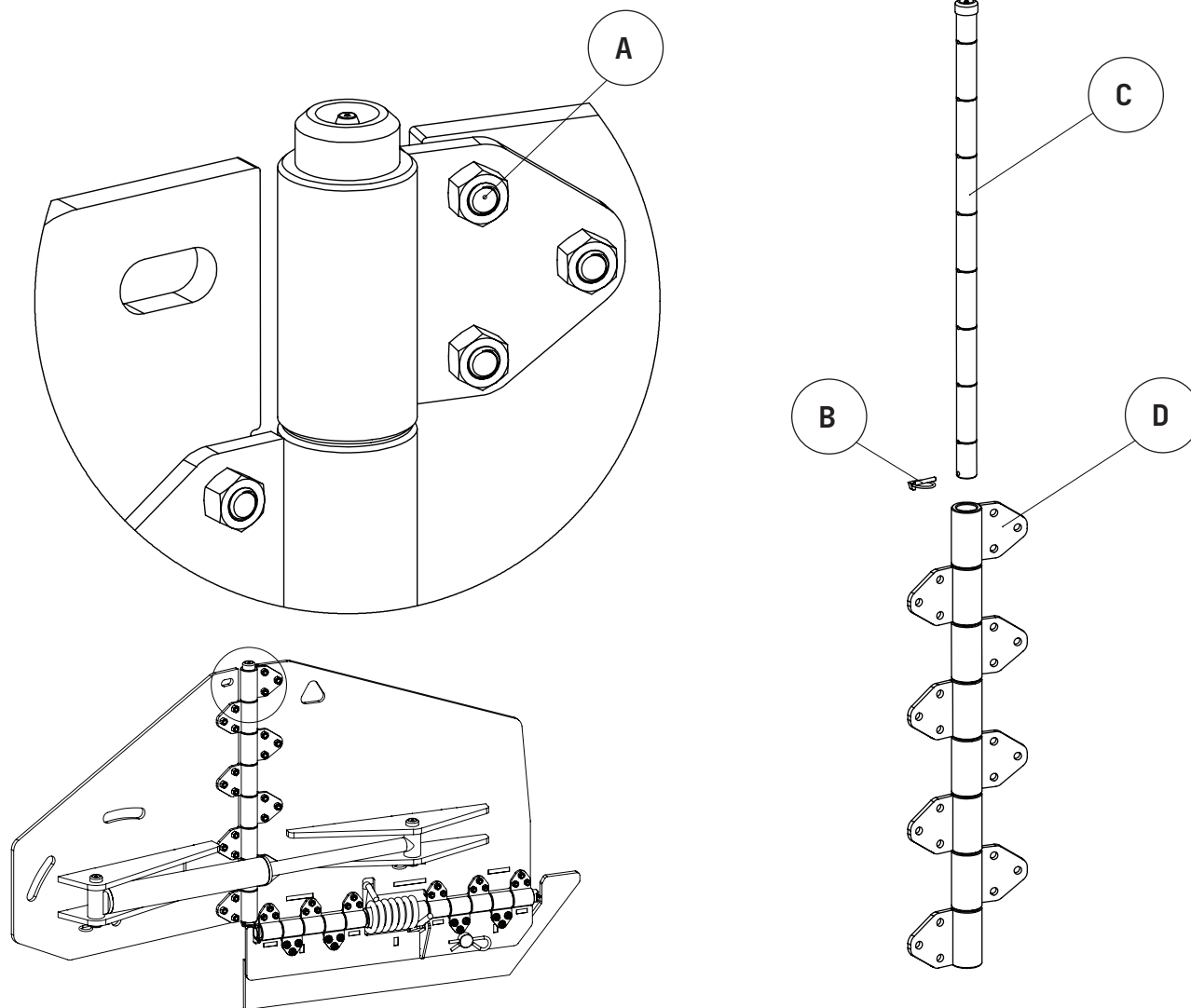
www.arcticsnowproducts.com | 14

CUTTING EDGE GAP SHIELD



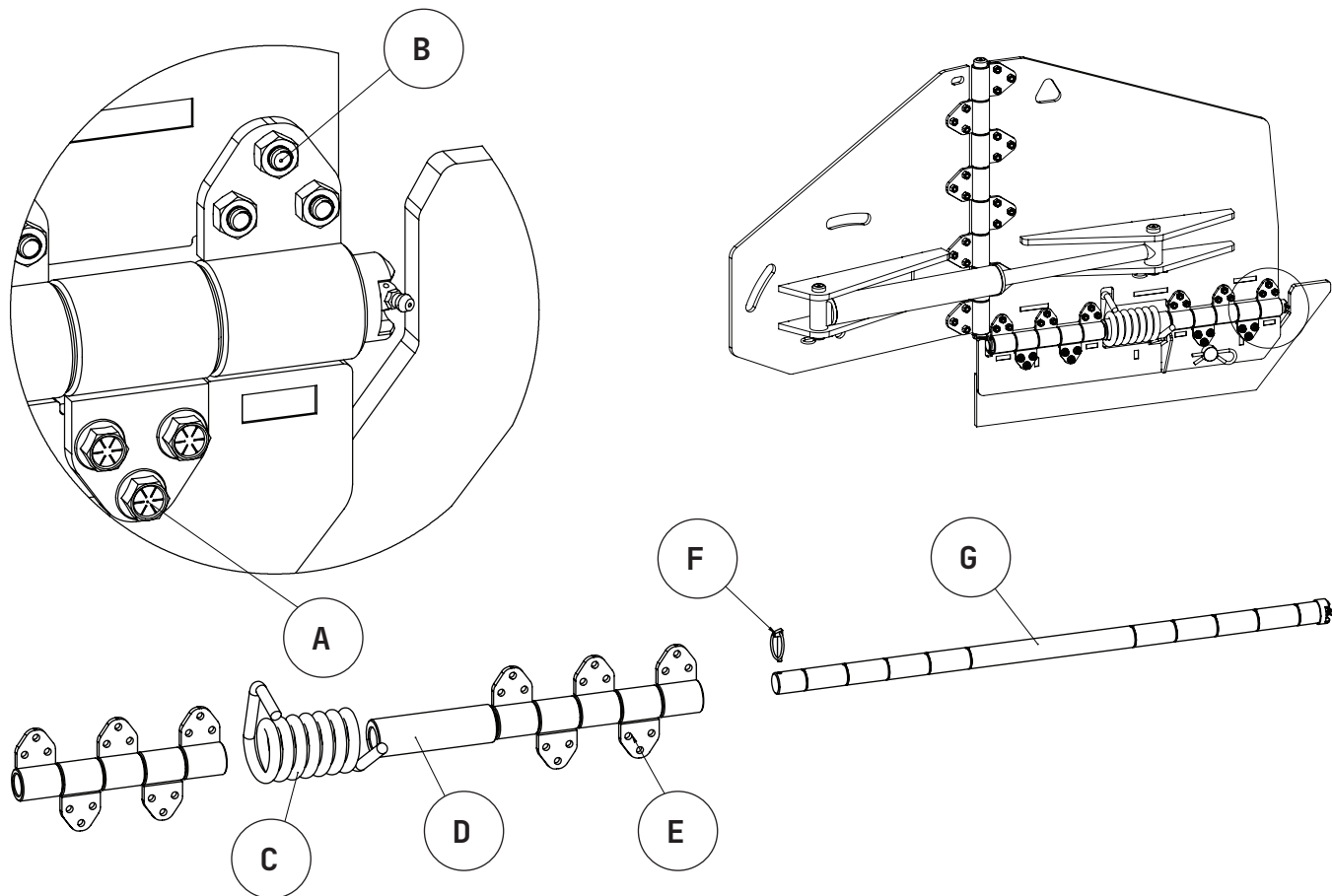
ITEM	PART NO.	DESCRIPTION
A	SPAWLD9304	Right Cutting Edge Gap Shield
	SPAWLD9341	Left Cutting Edge Gap Shield

WING HINGE



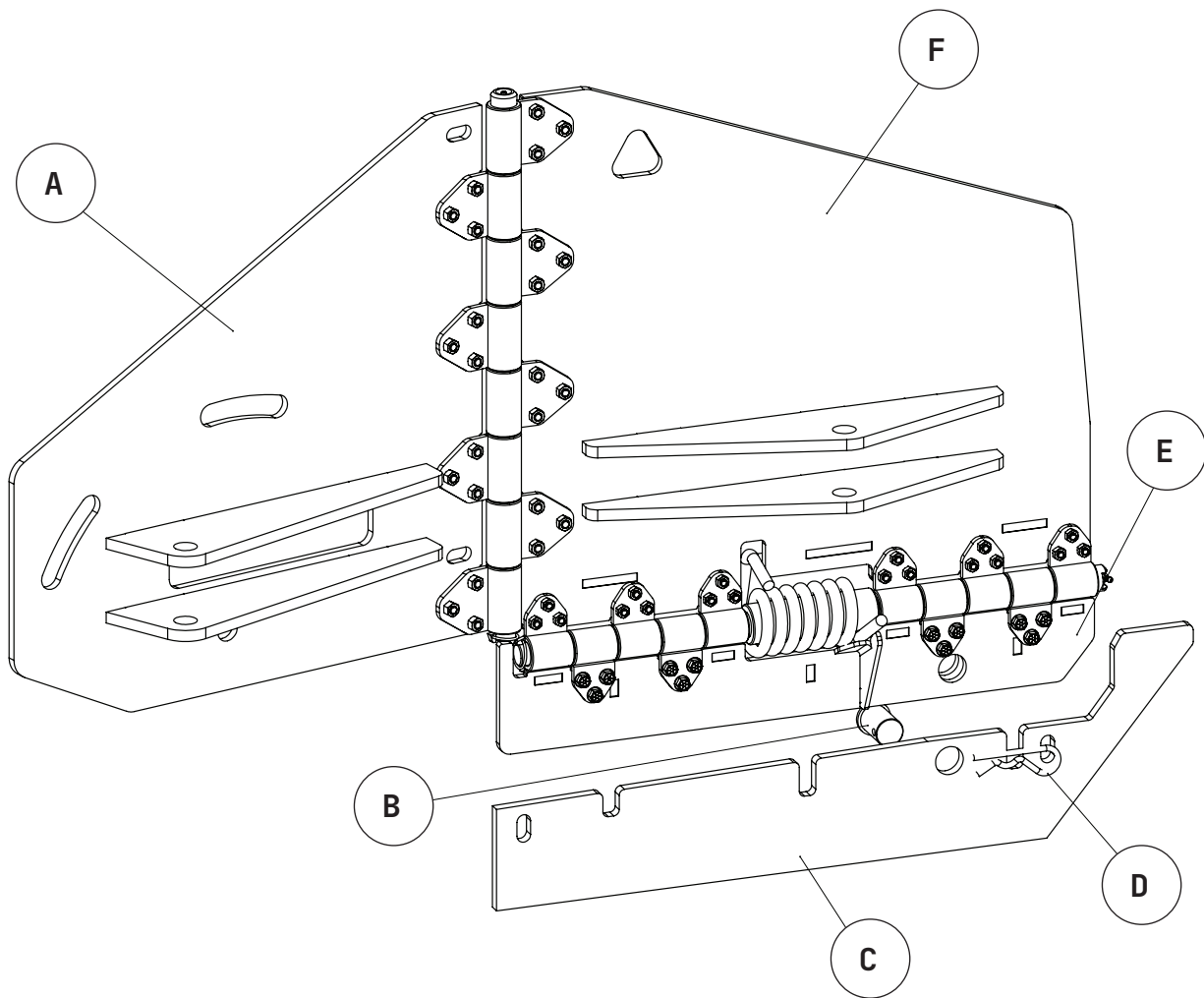
ITEM	PART NO.	DESCRIPTION
A	SPAULD9233	Bolt: 3/8-16 X 1In. Button Head Bolt - Clear Zinc
	SPAULD9235	Nut: 3/8-16 Hex Nut - Clear Zinc
	<i>Tapped Wings:</i>	
	SPAULD9096	Bolt: Flange Bolt 3/8-16 X 0.625In. - Clear Zinc
	<i>Carriage Bolts:</i>	
	SPAULD9238	Bolt: 3/8-16 x 1.25 Carriage Bolt
	SPAULD9240	Nut: 3/8-16 Nylock Nut
B	SPAULD9085	Linch Pin - For 1In. Pin - 0.1875In. Hole - Clear Zinc
C	SPAULD9086	Wing Pin - Machined - Clear Zinc
D	SPAULD9316	Wing Hinge Weldment

WING TRIP HINGE



ITEM	PART NO.	DESCRIPTION
A	SPAULD9097	Flange Bolt 5/16-18 X 0.625 - Clear Zinc
	SPAULD9234	Bolt: 5/16-18 X 1In. Button Head Bolt - Clear Zinc
	SPAULD9236	Nut: 5/16-18 Hex Nut - Clear Zinc
<i>Tapped Wings:</i>		
B	SPAULD9097	Bolt: Flange Bolt 5/16-18 X 0.625 - Clear Zinc
	<i>Carriage Bolts:</i>	
	SPAULD9239	Bolt: 5/16-18 x 1 Carriage Bolt
	SPAULD9241	Nut: 5/16-18 Nylock Nut
C	7117	Right Torsion Spring
	7112	Left Torsion Spring
D	SPAULD9195	Wing Trip Edge Spring Bushing - Machined - Al
E	SPAULD9342	Wing Trip Hinge Weldment
F	SPAULD9085	Linch Pin - For 1In. Pin - 0.1875In. Hole - Clear Zinc
G	SPAULD9053	Wing Trip Pin - Machined - Clear Zinc

WING COMPONENTS

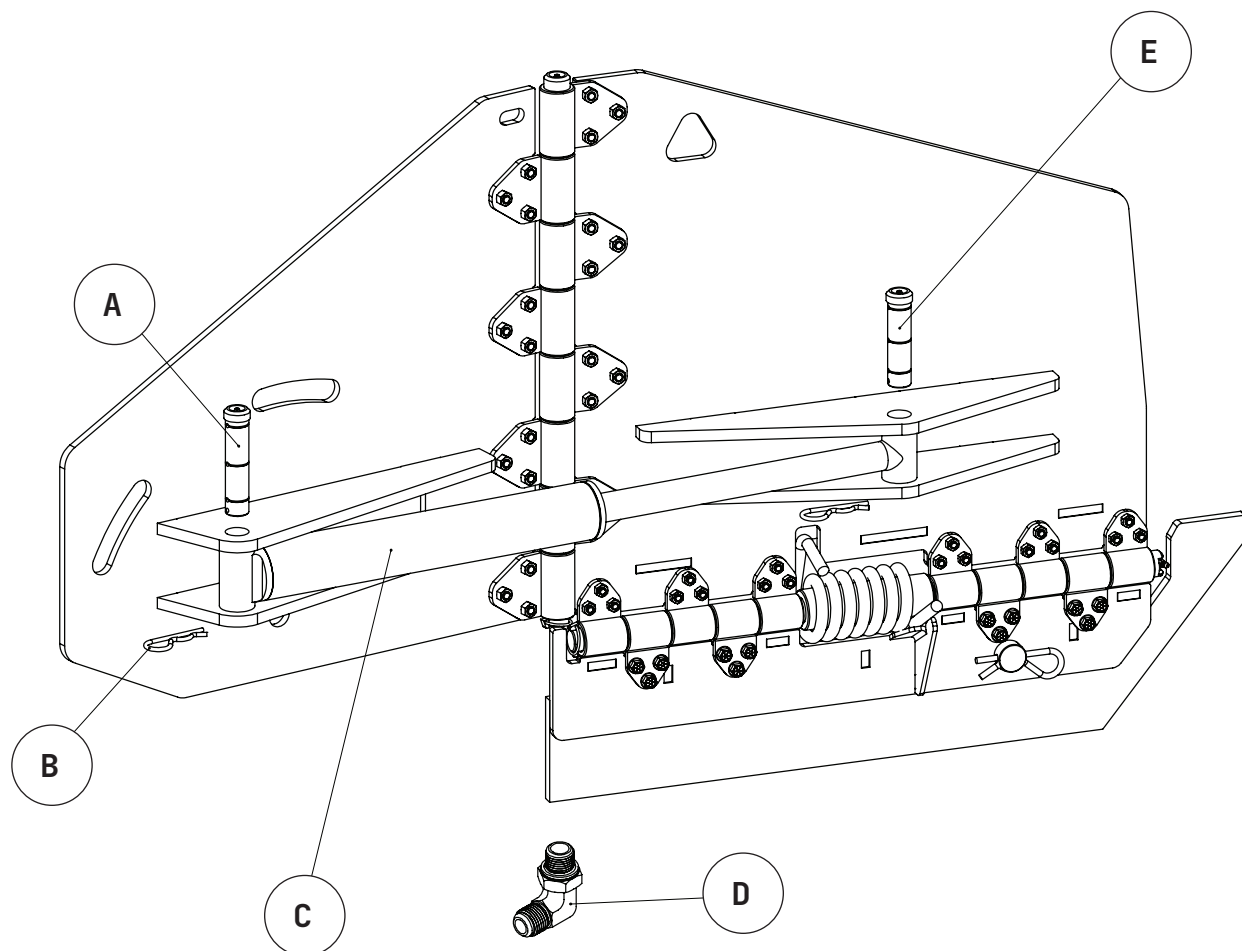


ITEM	PART NO.	DESCRIPTION
A	SPAWLD9327	Right Rear Wing Weldment
	SPAWLD9335	Left Rear Wing Weldment
B	SPAWLD9090	Wing Cutting Edge Pin - Machined
C	SPAWLD9012	LD Sno-Wing Wing Cutting Edge - Cut - 0.5in. Thk - AR400
D	SPAWLD9158	Cotter Pin - 4In. Long, 0.25In. Wire - Clear Zinc
E	SPAWLD9303	Right Trip Edge Weldment
	SPAWLD9337	Left Trip Edge Weldment
F	SPAWLD9328	Right Front Wing Weldment
	SPAWLD9336	Left Front Wing Weldment

SECTIONAL
SNO-WING™

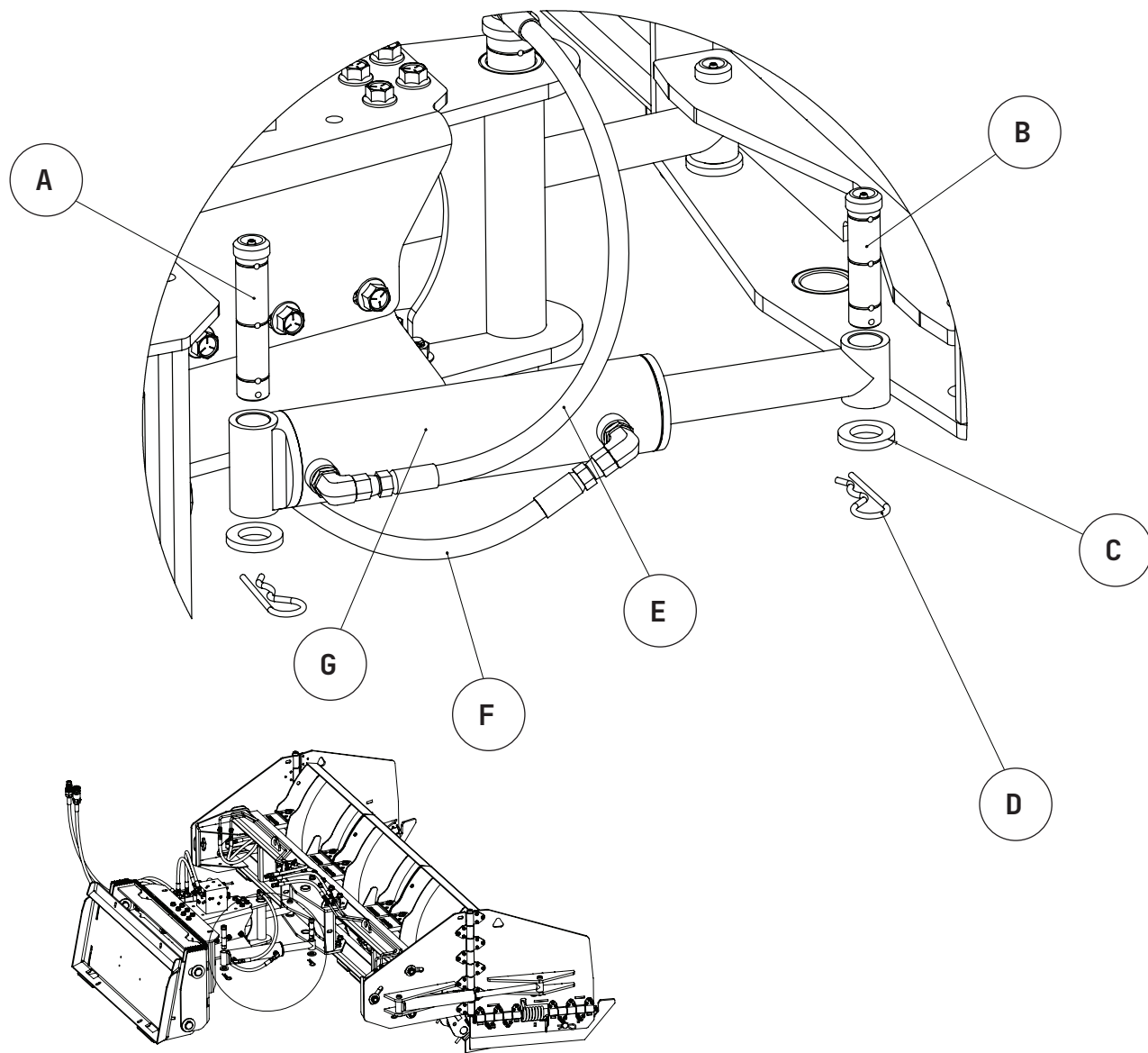
Arctic Sectional Sno-Wing™ LD Parts Manual

WING CYLINDER



ITEM	PART NO.	DESCRIPTION
A	SPAWLD9127	Rear Wing Pin - Machined - Clear Zinc Coated
B	SPAWLD9214	Cotter Pin - 3.25In. Long, 0.177In. Wire - Clear Zinc
C	SPAWLD9141	Wing Cylinder
D	SPAWLD9171	Fittings: -6 Sae To -6 Jic 90 Degree Fitting
E	SPAWLD9165	Front Wing Pin - Machined - Clear Zinc Coated

ANGLE CYLINDERS

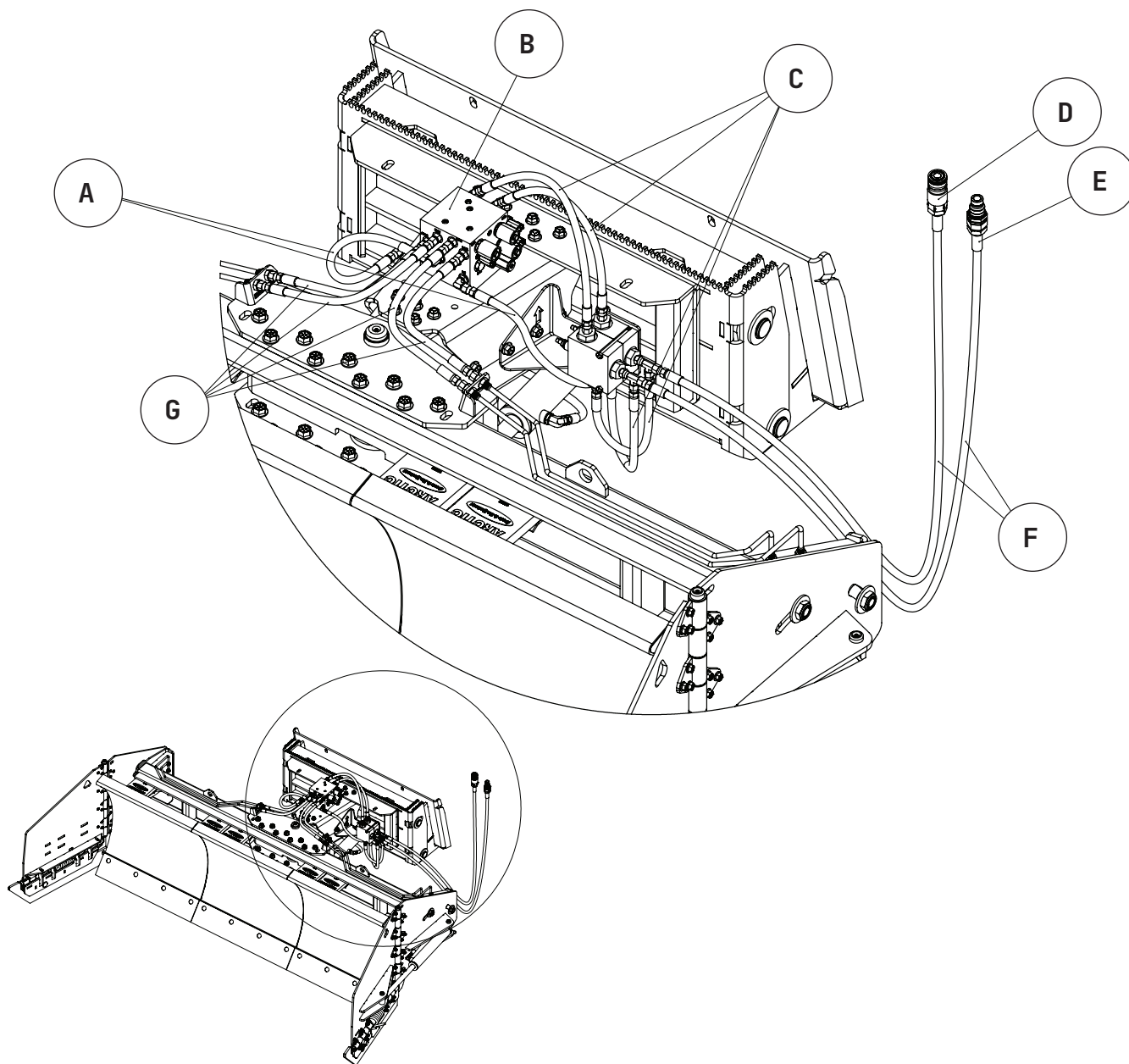


ITEM	PART NO.	DESCRIPTION
A	SPAWLD9203	Rear Angle Pin - Machined - Clear Zinc Coated
B	SPAWLD9126	Front Angle Pin - Machined - Clear Zinc Coated
C	SPAWLD9227	Angle Cylinder Washer - Cut - 0.25in. Thk - Clear Zinc ***Not on every plow***
D	SPAWLD9214	Cotter Pin - 3.2in. Long, 0.177in. Wire - Clear Zinc
E	SPAWLD9225	LD Sno-Wing Universal Hose - 27.5" End To End
F	SPAWLD9228	LD Sno-Wing Crossover Hose - 32" End To End
G	SPAWLD9149	Angle Cylinder

SECTIONAL
SNO-WING™

Arctic Sectional Sno-Wing™ LD Parts Manual

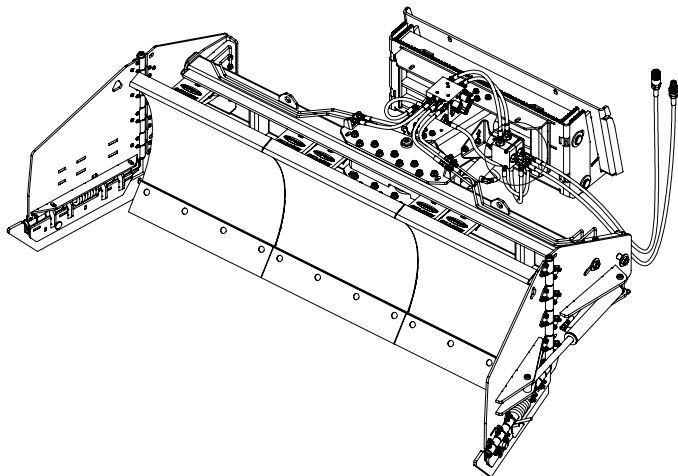
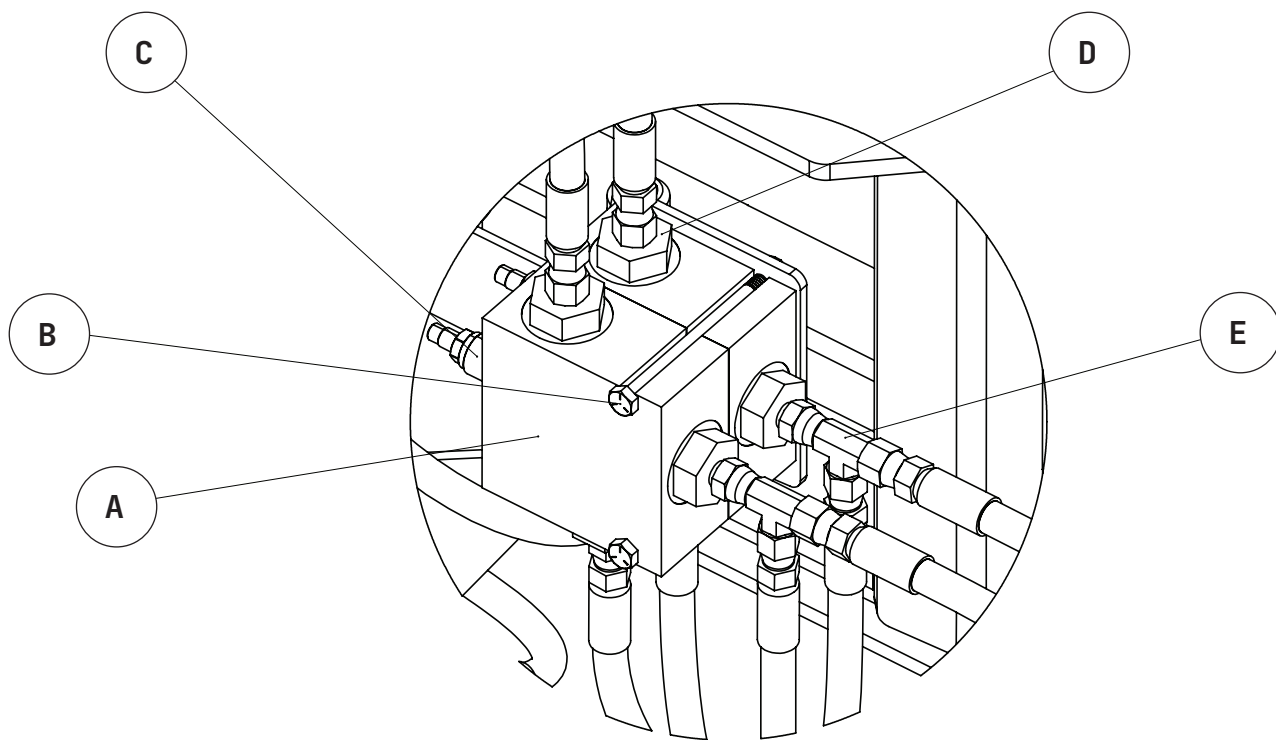
HYDRAULICS



ITEM	PART NO.	DESCRIPTION
A	SPAWLD9225	LD Sno-Wing Universal Hose - 27.5" End To End
B	SPAWLD9204	LD Sno-Wing Complete Manifold With Fittings - Rev 1
C	SPAWLD9225	LD Sno-Wing Universal Hose - 27.5" End To End
D	DDB5243	1/2" Body Qc To -12 O-Ring Female Hydraulic Qc Coupler - Female
E	DDB5242	1/2" Body Qc To -12 O-Ring Female Hydraulic Qc Coupler - Male
F	SPAWLD9223	LD Sno-Wing Main Hose Whip - 90" End To End
G	SPAWLD9225	LD Sno-Wing Universal Hose - 27.5" End To End

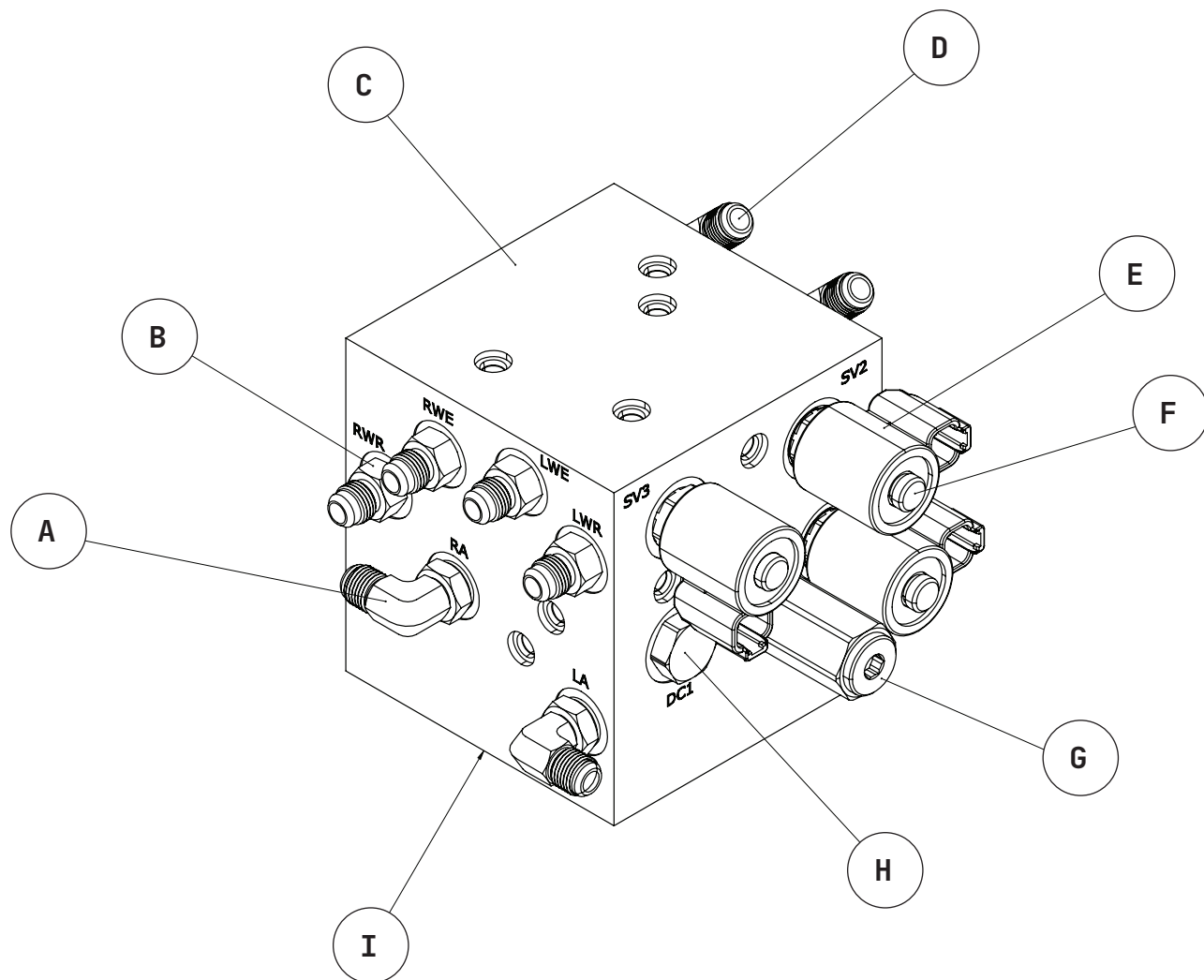
SECTIONAL
SNO-WING™

AUXILIARY HYDRAULICS



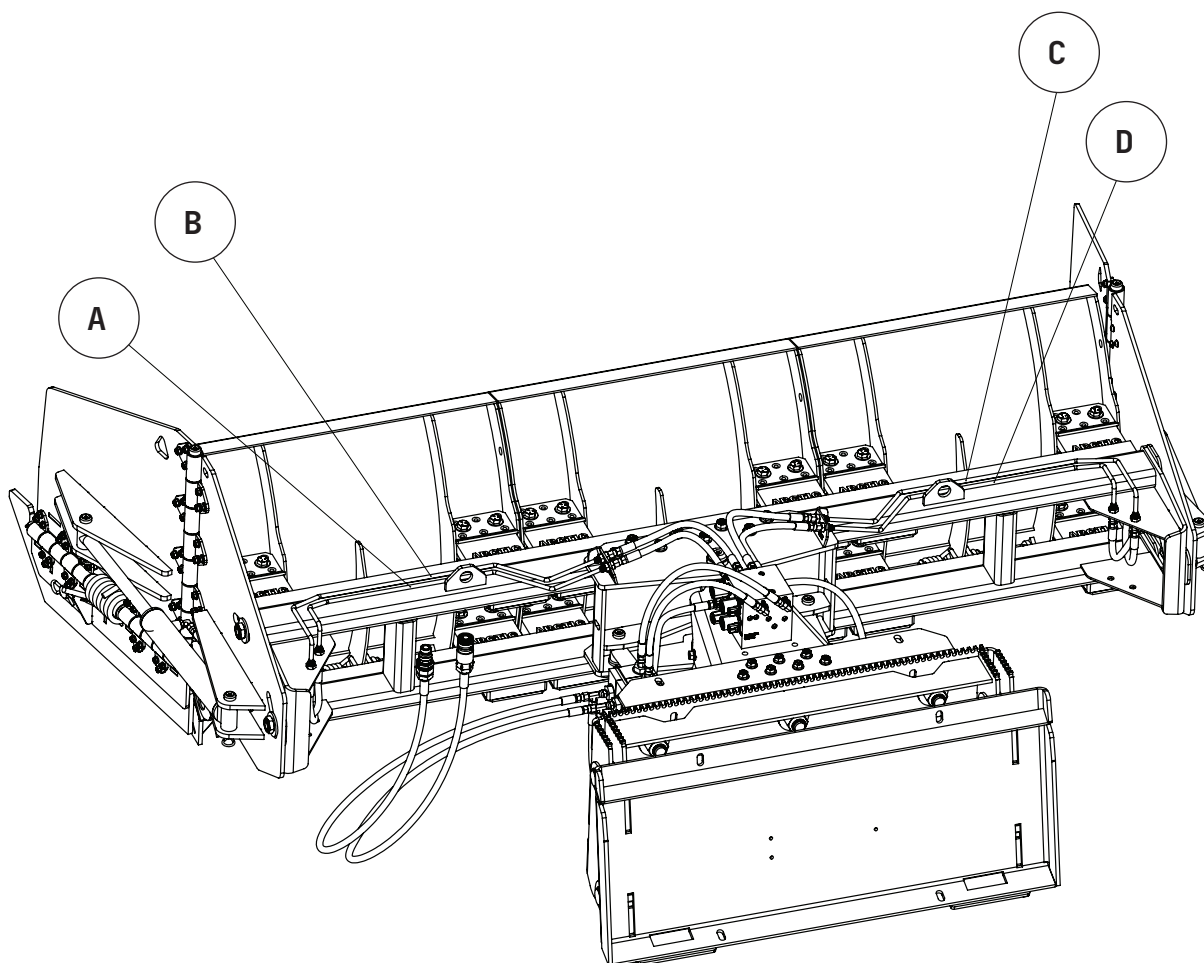
ITEM	PART NO.	DESCRIPTION
A	FR12-33A-12T-N	Auxiliary Hydraulic Block
B	SPAWLD9237	Bolt: 5/16-18 X 4.5In. Hex Head Bolt - Clear Zinc
	SPAWLD9236	Nut: 5/16-18 Hex Nut - Clear Zinc
C	FR12-33A	Priority Flow Control Valve - LD Sno-Wing Rev 1
D	DDB5117	-6 Jic Male To -12 Oring Male Hydraulic Fitting
E	SPAWLD9230	-6 Jic Tee Fitting, One End Female

HYDRAULIC MANIFOLD



ITEM	PART NO.	DESCRIPTION
A	SPAWLD9171	-6 Sae To -6 Jic 90 Degree Fitting
B	SPAWLD9115	-6 O-Ring To -6 Jic Fitting
C	ZY01366	Manifold - Bare - LD Sno-Wing Rev 1
D	SPAWLD9171	-6 Sae To -6 Jic 90 Degree Fitting
E	COIL_08_DR	Coil - LD Sno-Wing Rev 1
F	SX08-4X	Sx08 - LD Sno-Wing Rev 1
G	CR08-28H	Cross Relief - LD Sno-Wing Rev 1
H	DC08-40	Check Valve - LD Sno-Wing Rev 1
I	SPAWLD9136	3/8-16 X 1In. Flange Bolt - Clear Zinc

HYDRAULIC LINES

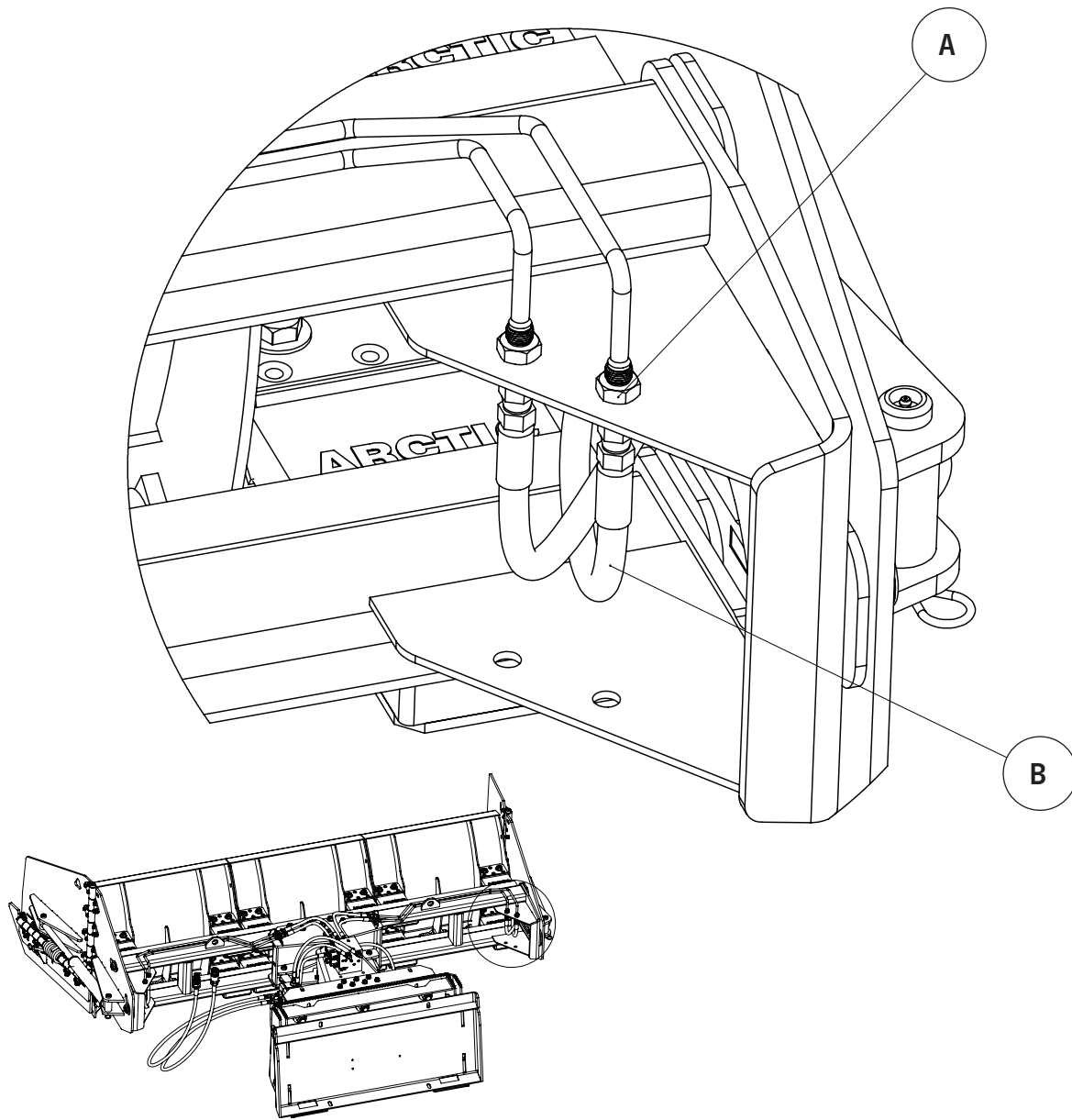


ITEM	PART NO.	DESCRIPTION
A	SPAWLD1006	LD8 Sno-Wing Left Retract Hydraulic Line
	SPAWLD2006	LD10.5 Sno-Wing Left Retract Hydraulic Line
B	SPAWLD1007	LD8 Sno-Wing Left Extend Hydraulic Line
	SPAWLD2007	LD10.5 Sno-Wing Left Extend Hydraulic Line
C	SPAWLD1004	LD8 Sno-Wing Right Extend Hydraulic Line
	SPAWLD2004	LD10.5 Sno-Wing Right Extend Hydraulic Line
D	SPAWLD1005	LD8 Sno-Wing Right Retract Hydraulic Line
	SPAWLD2005	LD10.5 Sno-Wing Right Retract Hydraulic Line

SECTIONAL
SNO-WING™

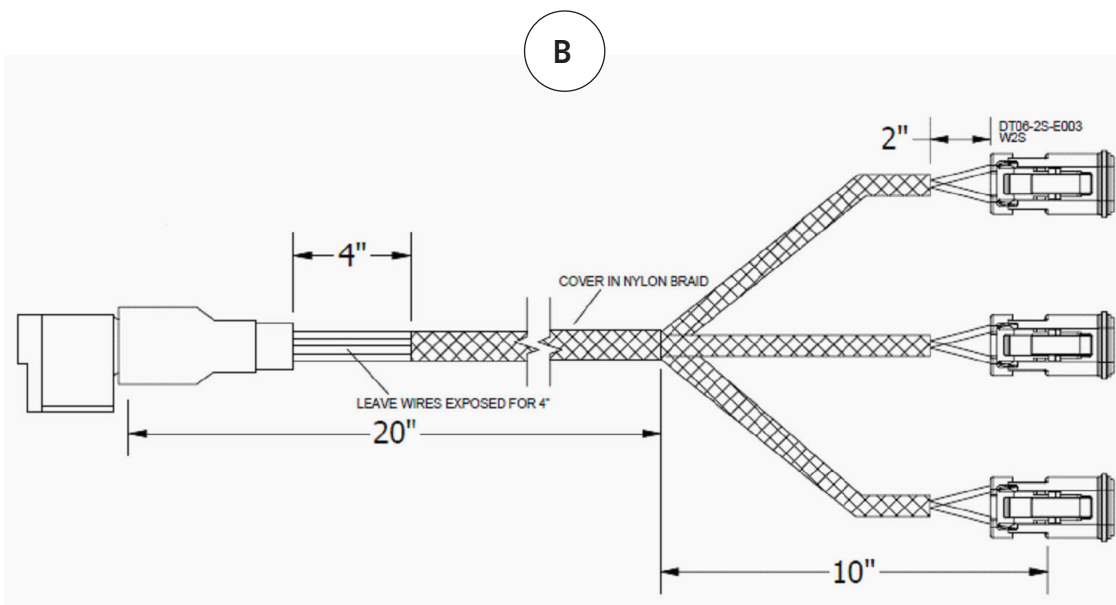
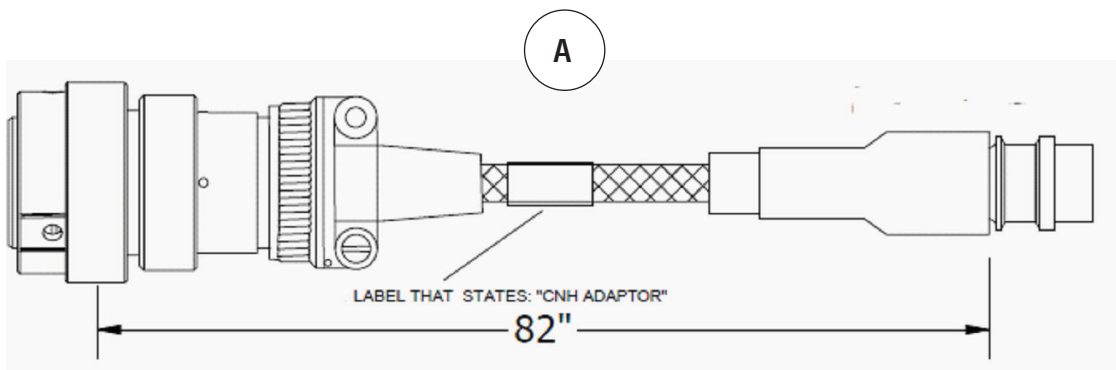
Arctic Sectional Sno-Wing™ LD Parts Manual

WING HYDRAULICS



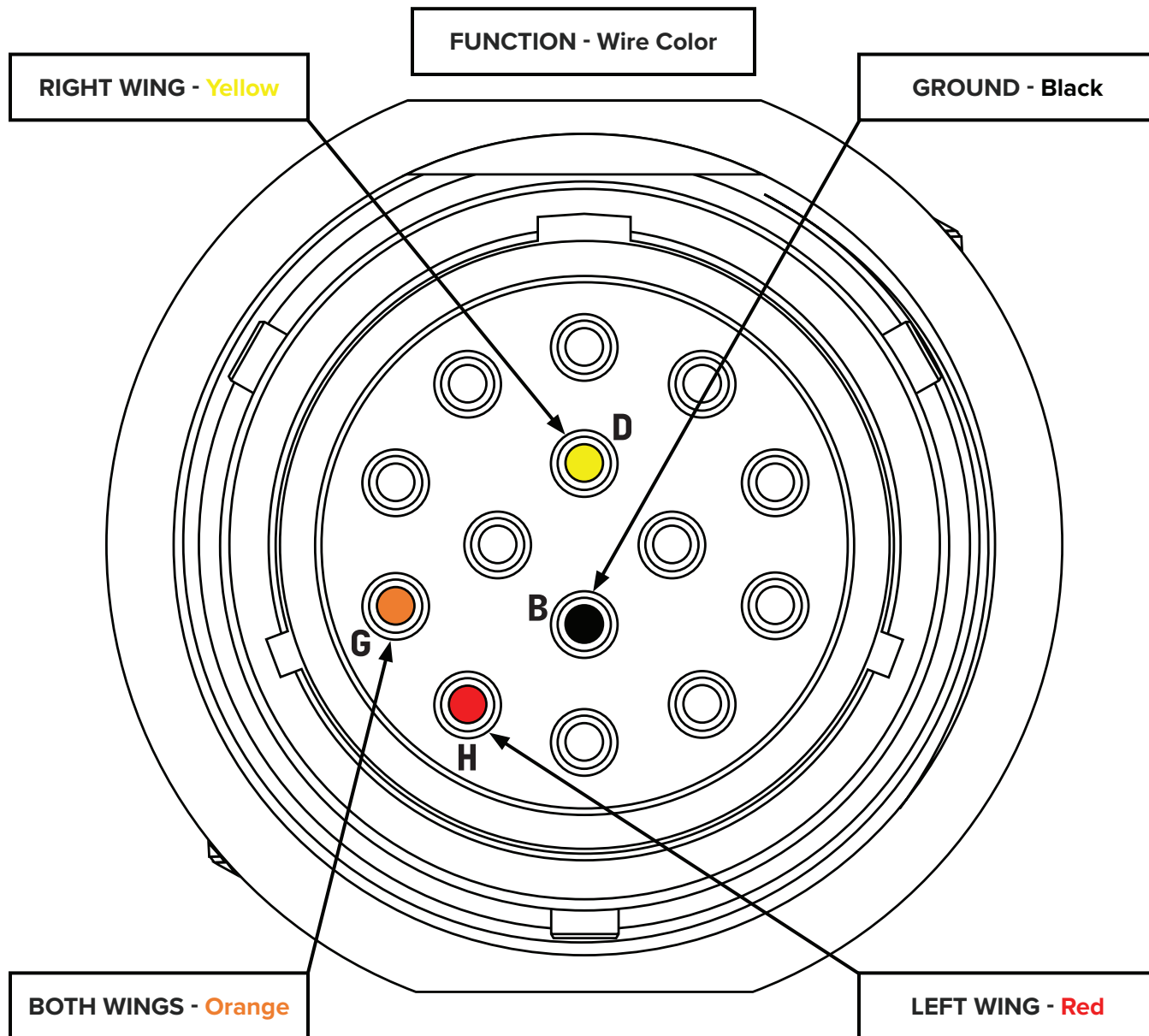
ITEM	PART NO.	DESCRIPTION
A	SPAWLD9159	-6 Jic To -6 Jic - Bulkhead Fitting
B	SPAWLD9225	LD Sno-Wing Universal Hose - 27.5" End To End

ELECTRICAL



ITEM	PART NO.	DESCRIPTION
A	Q14245-E04-S01	LD Sno-Wing Main Harness - 82" Long - 14 Pin To Breakaway Connector
B	Q14245-E05-S01	Manifold Harness - Breakaway To (3) Deutsch 2-Pin Connectors

14 PIN WIRING DIAGRAM



As viewed from the female connector on your Sectional Sno-Wing harness (QPN: 42366)

OEM configured for CNH machines. Adapters offered for Bobcat® 7-pin and CAT® 8-pin.

